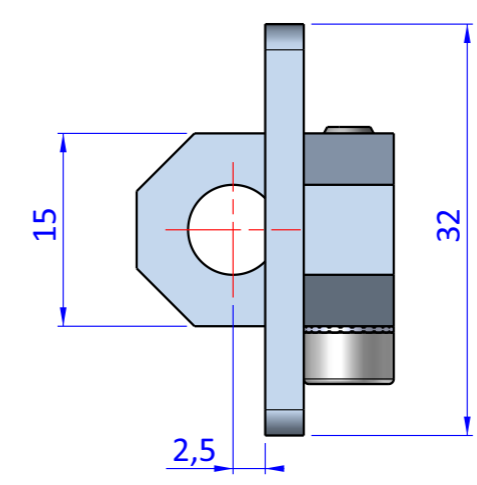
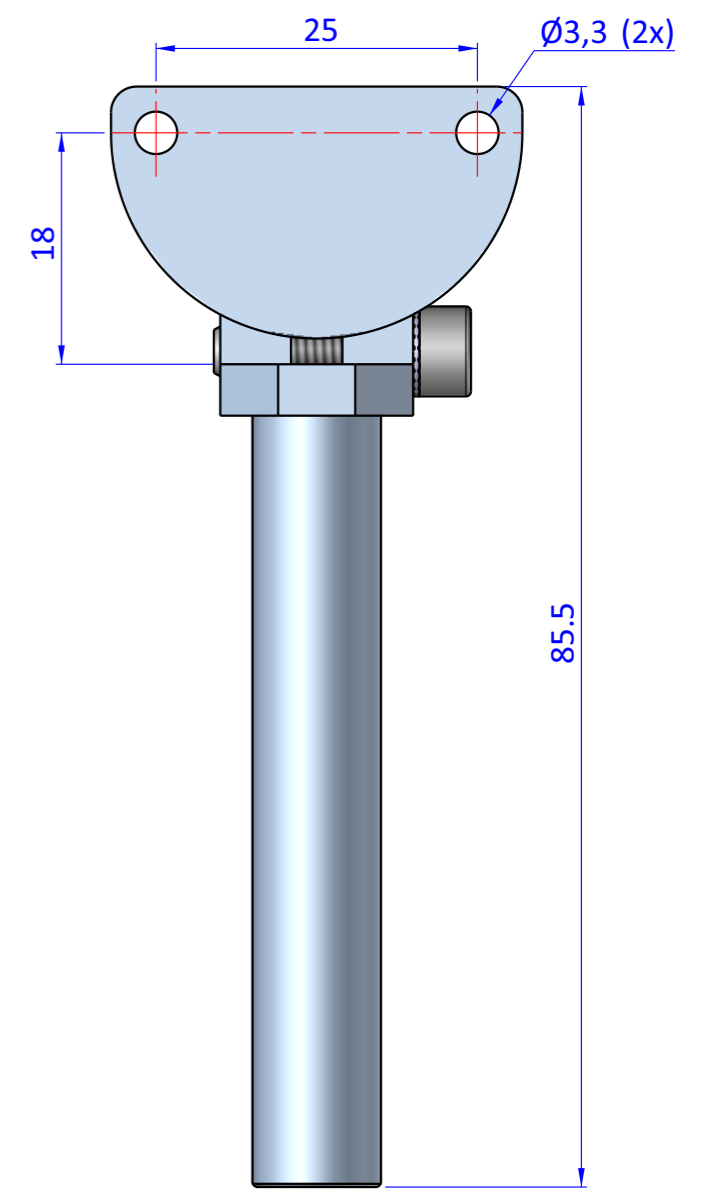
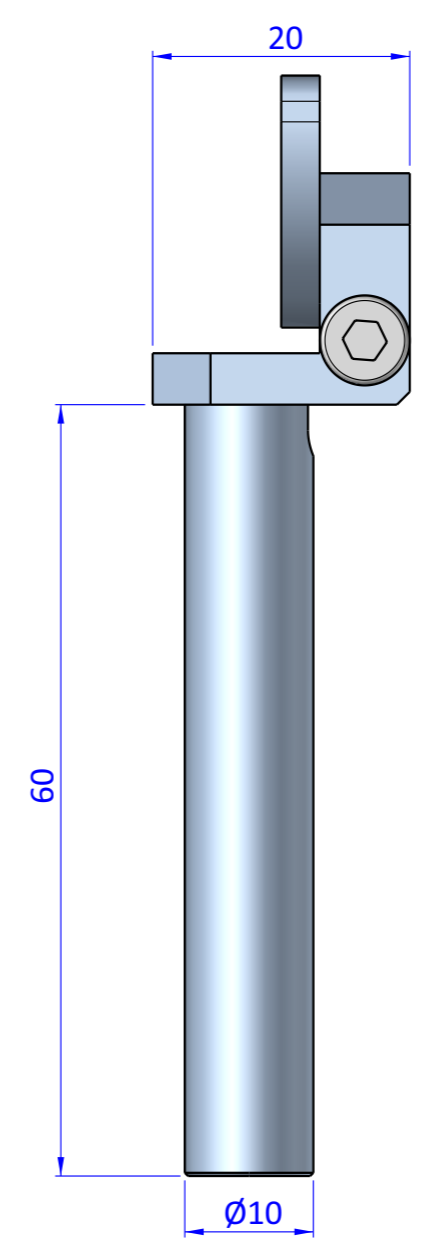
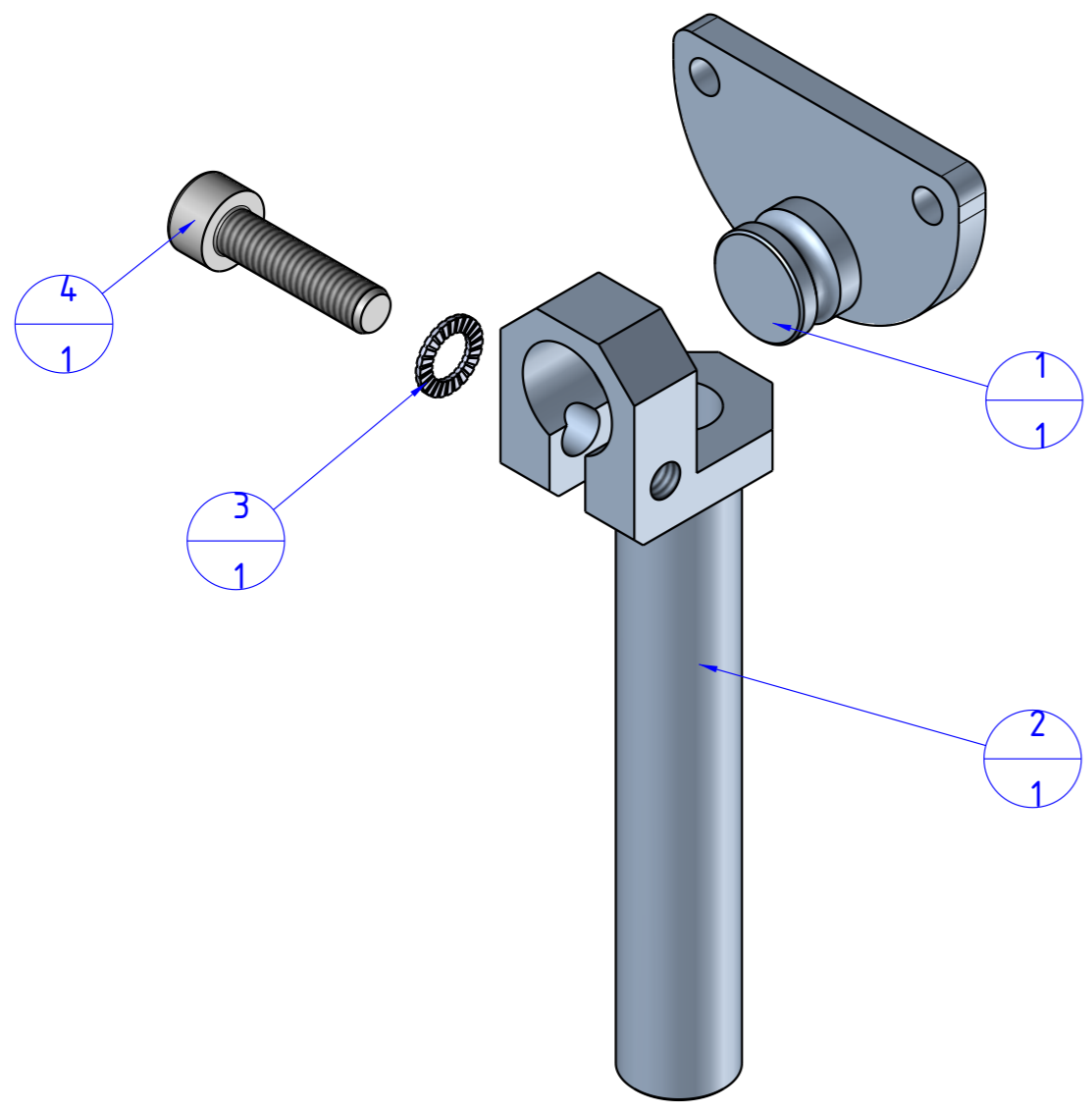



THE PROPERTY OF THE DRAWING IS ESTABLISHED BY LAW. IT IS FORBIDDEN TO PRODUCE OR SHOW IT TO THIRD PART. WITHOUT A WRITTEN AGREEMENT.

Item	Name	Q.ty
1	ATK.10.10.3	1
2	GGB.10.60	1
3	R.4.SCH	1
4	V.TCE4x16	1



Format A3
UNI 936-76

 FPS SERVICES AUTOMATION		DESIGNED FROM FPS Automation		REVIEW A
		DATE 06/08/2020	WEIGHT 0,018kg	
GENERAL TOLERANCE UNI - ISO 2768 CLASSE f	DESCRIPTION CA.ATK.10.10.60	CODE CA.ATK.10.10.60		